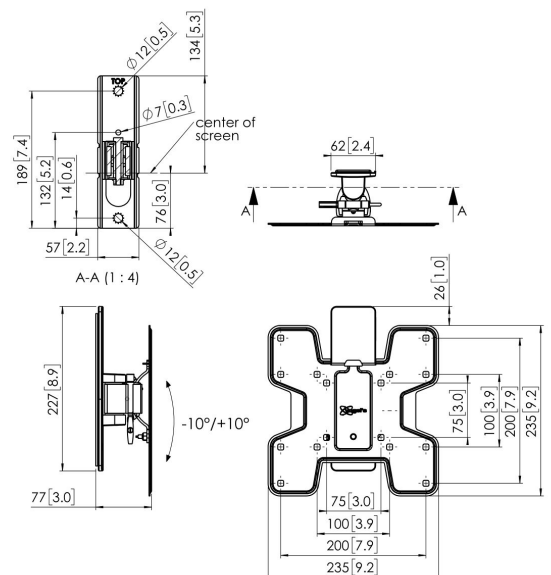




PFW 2020 Display Wall Mount turn & tilt

The clean and slim PFW 2000 Series is designed with hospitality content in mind.





PFW 2020 Display Wall Mount turn & tilt

Specifications

Article number (SKU)	7320200
Colour	Black
EAN single box	8712285335105
Product size	S
TÜV certified	Yes
Tilt	Tilt -10°/+10°
Turn	Up to 60°
Guarantee	5 years
Min. screen size (inch)	19
Max. screen size (inch)	43
Max. weight load (kg/Lbs)	16 / 35.27
Max. bolt size	M8
Max. height of interface (mm)	235
Max. width of interface (mm)	235
Fischer inside	Yes
Levelling function	Post-installation horizontal levelling
Lockable	True
Lock options	Lock included / integrated
Max. distance to the wall (mm / inch)	77 / 3.03
Max. horizontal hole pattern (mm)	200
Max. screen size (inch)	43
Max. vertical hole pattern (mm)	200
Min. distance to the wall (mm / inch)	77 / 3.03
Min. horizontal hole pattern (mm)	75
Min. screen size (inch)	19
Min. vertical hole pattern (mm)	75
Number of pivot points	1
Universal or fixed hole pattern	Fixed

VOGEL'S HOLDING BV (©)

All rights reserved.
Subject to printing errors,
technical and price
amendments.

Date: 2023-01-30



Vogel's. For Sure.