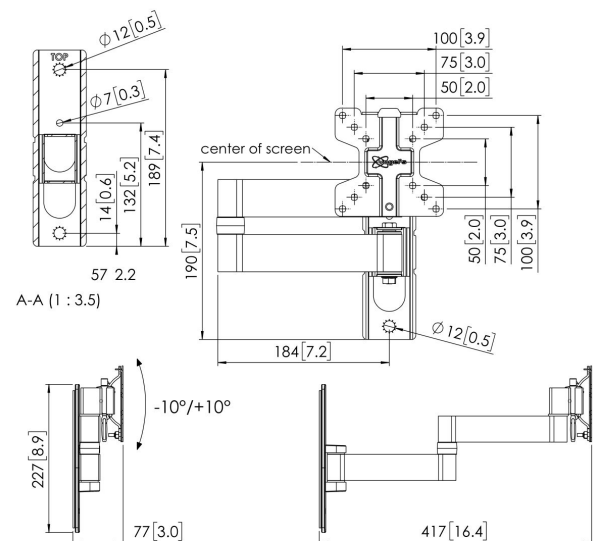




PFW 1040 Display Wall Mount turn & tilt

The PFW 1040 Display wall mount is suitable for 10 to 28 inch displays weighing up to 16 kg. Thanks to the double arms the wall mount has a turn function up to 180° and tilt function from to -10°/+10°. In addition to this, the mount is equipped with a lock to secure your display.





PFW 1040 Display Wall Mount turn & tilt

Specifications

Article number (SKU)	7310400
Colour	Black
EAN single box	8712285342448
Product size	XS
TÜV certified	Yes
Tilt	Tilt -10°/+10°
Turn	Up to 180°
Guarantee	5 years
Min. screen size (inch)	10
Max. screen size (inch)	28
Max. weight load (kg/Lbs)	16 / 35.27
Max. bolt size	M6
Max. height of interface (mm)	116
Max. width of interface (mm)	116
Fischer inside	Yes
Levelling function	Post-installation horizontal levelling
Lock options	Lock included / integrated
Max. distance to the wall (mm / inch)	417 / 16.42
Max. horizontal hole pattern (mm)	100
Max. screen size (inch)	28
Max. vertical hole pattern (mm)	100
Min. distance to the wall (mm / inch)	77 / 3.03
Min. horizontal hole pattern (mm)	50
Min. screen size (inch)	10
Min. vertical hole pattern (mm)	50
Number of pivot points	3
Universal or fixed hole pattern	Fixed

VOGEL'S HOLDING BV (©)

All rights reserved.
Subject to printing errors,
technical and price
amendments.

Date: 2023-01-28



Vogel's. For Sure.